



**INNOVATIVE**  
HIGH DEFINITION SURVEILLANCE

# KNC-HDBi230

Mini Bullet IP Camera

[www.ktncusa.com](http://www.ktncusa.com)

- Member of Onvif
- 2.43 Megapixel, 1/2.8" SONY Exmor CMOS
- Board Lens: 3.7 mm (3MP), 8 mm (1.3MP)
- Pinhole Lens: 4.3 mm P4 (1.3MP)
- Digital Day & Night
- Min. Illumination of 0.1 Lux
- Size:  $\Phi$ 23 x 96.3 mm
- 3D DNR / BLC / D-WDR
- IP66 (Weatherproof)
- DC 12 V Power

**IP**  
**HDTV / Megapixel**  
Network Cameras



# IP

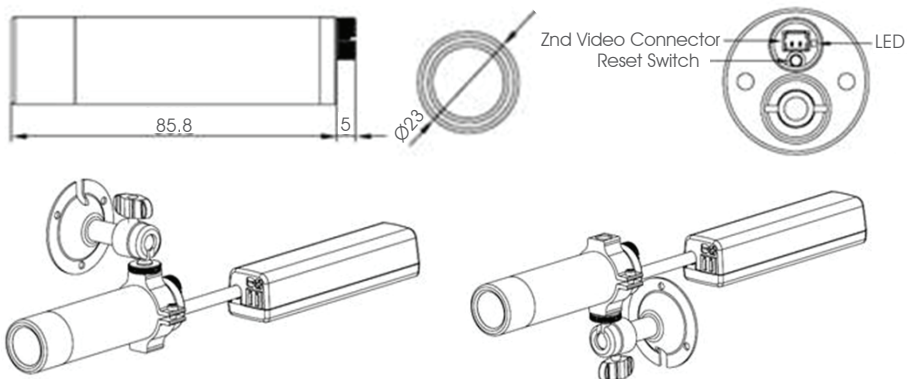
**HDTV / Megapixel**  
Network Cameras

- Member of Onvif
- 2.43 Megapixel, 1/2.8" SONY Exmor CMOS
- Board Lens: 3.7 mm (3MP), 8 mm (1.3MP)
- Pinhole Lens: 4.3 mm P4 (1.3MP)
- Digital Day & Night
- Min. Illumination of 0.1 Lux
- Size: Ø23 x 96.3 mm
- 3D DNR / BLC / D-WDR
- IP 66 (Weatherproof)
- DC 12 V Power

## 2.1 Mega Pixel (1920x1080)



### General Feature Diagram Unit: (mm)



# KNC-HDBi230

## Mini Bullet IP Camera

### Technical Specification



Camera	Image Sensor	2.43 Megapixel, 1/2.8" SONY Exmor CMOS			
	Total Pixels (H x V)	2000 x 1241			
	Day & Night	Digital Day & Night			
	Min. Illumination	0.1 Lux / F2.0			
	IR LED	Distance	N/A		
	Shutter Speed	1/30 ~ 1/8000			
Lens	Lens	Board	3.7 mm (3 MP), 8 mm (1.3 MP)	Pinhole	4.3 mm P4 (1.3 MP)
	Lens Type	Fixed Board or Pinhole Lens			
Video	Maximum Resolution	H.264	1920 x 1080 (16:9)	MJPEG	1280 x 720 (16:9)
	Frame Rate	H.264	30fps	MJPEG	30fps
	Compression	H.264	MJPEG		
	Streaming	Dual-Stream at different frame rate and bandwidth			
	Digital Slow Shutter	Off, 2x, 4x (AUTO)			
Image Settings	Brightness, Contrast, Saturation, Sharpness, White balance, Exposure control, Image rotation, Text and image overlay, Privacy masking, BLC, D-WDR, 3D DNR				
Audio	Streaming	N/A			
	Compression	N/A			
	Input / Output	N/A			
Network	LAN	Ethernet 10/100 Base-T (RJ-45 Type)			
	Maximum User Access	N/A			
	Security	Multiple user access levels with password protection, HTTPS (SSL)			
	Protocol	IPv4, HTTP, TCP, RTSP, RTP, UDP, IGMP, RTCP, SMTP, FTP, ICMP, DHCP, ARP, DNS, DDNS, HTTPS, UPnP			
	ONVIF Compliant	Yes			
	Interface	OS: Windows XP, Vista, 7	Browser: Internet Explorer		
	Record Schedule	Continuous, Motion, Sensor, Pre & Post Alarm			
Intelligent Video	Video Motion Detection	Yes			
Alarm and Event	Alarm Triggers	Intelligent video, manual triggers, network fail, SD card scheduling, reboot			
	Alarm Events	JPEG image upload via FTP & Email, notification via E-mail, recording AVI or JPEG using Micro-SD			
General	Processors	CPU: ARM 1136EJ-S			
	Memory	RAM: 256 MB, Flash: 256 MB			
	Power	PoE class 3 (IEEE 802.3af) DC12V 200 mA			
	Interface	Service video connector			
		Power (DC 12 V) Input			
		Status LED			
	Local storage	MicroSD/SDHC up to 32 GB			
	IP Rating	IP66 (Weatherproof)			
	Operating Temperature	-10 °C ~ 50 °C (14 °F ~ 122 °F)			
	Conditions	Humidity 20 ~ 80 % RH (No Condensing)			
Dimension	Weight	Ø23 x 96.3 mm (0.9 x 3.8 inch)	118 g (0.3 lb.)		